

SONY®

LCD Data Projector

VPL-PX1

SONY



Compact
Upright
Bright

Bright, Upright and Compact. The Sony VPL-PX1 LCD Data Projector.

Stand with total confidence in your presentations, knowing that the Sony VPL-PX1 is standing right there with you.

The Sony VPL-PX1 delivers high quality visuals with true XGA resolution and a stunning 1000 ANSI lumens brightness. Just plug in and your presentation is up and running right away. Its magnesium alloy body and unique upright construction are the results of designing for durability and space-efficient operation.

The Sony VPL-PX1 equips you with what you need to enhance your visual communications. Standing out in a crowd. The Sony VPL-PX1.



Features

1000 ANSI lumens brightness

The combination of a new 120 W UHP lamp of improved efficiency and the micro lens array on the LCD panels results in a picture brightness of 1000 ANSI lumens. You project a high-quality, high-contrast image, even in high ambient light conditions.

Upright design

The VPL-PX1 has a unique upright design that requires a minimum amount of space. Compared to conventional A-4 size projectors, the VPL-PX1 takes up only about half as much space on your desktop. In addition, the projector's high lens position provides an optimal shooting angle.

True XGA resolution

Thanks to three Sony 0.9-inch, true XGA (1024 x 768) resolution LCD panels, the VPL-PX1 reproduces details with great clarity.



Innovative optics

The VPL-PX1 benefits from Sony's innovative optical technologies—like fly-eye light integrators, that focus more light down the optical path to your screen. They smooth out hot spots, eliminate corner shading and minimize color shifting.

Simple setup

The built-in 1.3x zoom lens of the VPL-PX1 provides great set-up flexibility, allowing you to position the projector in the most convenient location. The VPL-PX1 accepts a wide variety of input signals, with 37 preset signal formats covering any video format used world-wide and PC signals up to SXGA. Just plug in your computer with the supplied cable and you get a great picture with no need for complex adjustments.

Connector



Functional construction

The VPL-PX1's lightweight magnesium alloy body was specifically designed to withstand the rigors of road trips. A built-in shutter keeps the zoom lens safe and sound at all times, so there is no lens cap to lose. The shooting angle can be tilted in five steps with the stable height adjuster. The retractable carrying handle has elegance and functionality.

Lens shutter



Retractable handle

Height adjuster



Full remote control function

With the supplied remote control unit, you can make your presentations flow smoothly. The built-in laser pointer function allows you to direct the audience's attention, and there's even an integrated mouse receiver for point-and-click control of your connected computer.

RM-PJM600



On-screen menus guide you every step of the way in controlling your projector—and in your choice of seven languages: English, French, Spanish, German, Italian, Japanese and Chinese.

Control panel



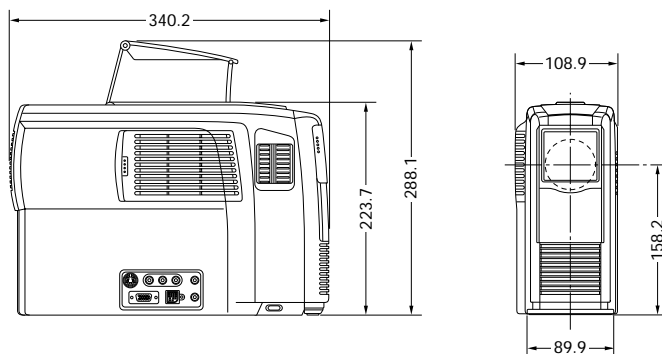
Despite its compact design, the personal projector comes with built-in stereo speakers—so you have great sound as well as brilliant images.

Specifications

Optical	Projection system	3 LCD panels, 1 lens projection system	
	LCD panel	0.9-inch p-Si TFT LCD panel with Micro Lens Array, 2,359,296 pixels (786,432pixels x3)	
	Projection lens	1.3 times zoom lens. F 1.7 to 2.0 f 37.3 to 48.5mm	
	Lamp	120 W plus UHP	
	Screen coverage	40 to 200 inches (viewable area, measured diagonally)	
	Light output	1000 ANSI* lumens	
	Throwing distance		
	40-inch	1590 to 2040 mm (63 to 80 inches)	
	60-inch	2440 to 3100 mm (96 to 122 inches)	
	80-inch	3280 to 4160 mm (129 to 164 inches)	
100-inch	4120 to 5220 mm (162 to 206 inches)		
120-inch	4970 to 6280 mm (196 to 247 inches)		
150-inch	6230 to 7870 mm (245 to 310 inches)		
200-inch	8340 to 10520 mm (328 to 414 inches)		
Signals	Color system	NTSC, PAL, SECAM, NTSC4.43, PAL-M (automatically/manually selected)	
	Resolution	750 TV lines (video): 1024 x 768 pixels (RGB)	
	Acceptable signal	RGB (FH: 15, 24 to 91 kHz, FV: 50 to 85 Hz), 15 kHz component 50/60 Hz system, composite video, Y/C video	
General	Speaker	Max. 1 W x 2 (stereo)	
	Power requirements	AC 100 to 240 V, 50/60 Hz	
	Power consumption	Max. 190 W, standby 2 W	
	Operating temperature	0 to 40°C (32 to 104°F)	
	Operating humidity	35 to 85%	
	Dimensions	108 (W) x 223 (H) x 337 (D) mm (4 3/8 x 8 7/8 x 13 3/8 inches)	
	Mass	Approx. 4 kg (8 lb 13 oz)	
	Heat dissipation	648.4 BTU	
	Inputs/Outputs	VIDEO IN	
		Composite	Phono type, 1 Vp-p ± 2 dB, sync negative, 75 Ω
Y/C IN		Mini DIN 4-pin	
Y		1 Vp-p ± 2 dB, sync negative, 75 Ω	
C		Burst 0.286 Vp-p ± 2 dB (NTSC), 75 Ω or 0.3 Vp-p ± 2 dB (PAL), 75 Ω	
INPUT A			
Analog RGB/Component		HD D-sub 15-pin (female)	
R/R-Y		0.7 Vp-p ± 2 dB, positive, 75 Ω	
G		0.7 Vp-p ± 2 dB, positive, 75 Ω	
G with Sync/ Y		1 Vp-p ± 2 dB, sync negative, 75 Ω	
B/B-Y		0.7 Vp-p ± 2 dB, positive, 75 Ω	
SYNC/HD			
Composite sync		1 to 5 Vp-p, high impedance positive/negative	
Horizontal sync		1 to 5 Vp-p, high impedance positive/negative	
VD			
Vertical sync		1 to 5 Vp-p, high impedance positive/negative	
MOUSE IN		Square 13-pin (female)	
AUDIO IN		Stereo mini jack, 500 mV rms, impedance more than 47 kΩ	
AUDIO OUT (variable out)		Stereo mini jack, max. 1 V rms, when the input signal is 500 mV rms, impedance less than 5 kΩ	
Laser beam		Laser type	Class II
	Wavelength	645 nm	
	Output	1 mW	
Safety regulations		UL1950, cUL950 (CSA No.950), DHHS (Laser), FCC Class A, IC Class A, EN 60 950 (TÜV), CE, C-Tick, EN 60 825-1 (Laser)	
	Supplied accessories	Remote commander RM-PJM600, Monitor cable SMF-401 (2 m): HD D-sub 15-pin to D-sub 15-pin, Mouse cable (2 m): SIC-S22 (for PS/2), Audio visual cable (1.5 m), AA size battery (x 2), Air filter, Operating manual, Quick reference sheet	

* ANSI lumens is a measuring method of the American National Standards Institute IT 7. 228.

Dimensions



Preset Data of Input Signals

Memory NO.	Preset Signal	FH (kHz)	FV (Hz)	H/V Polarity	
1	VIDEO 60 Hz	15.734	59.940	N/N	
2	VIDEO 50 Hz	15.625	50.000	N/N	
3	15 K RGB/COMPONENT 60 Hz	15.734	59.940	N/N	
4	15 K RGB/COMPONENT 50 Hz	15.625	50.000	N/N	
5					
6	640 x 350	VGA mode 1	31.469	70.086	P/N
7		VGA VESA 85 Hz	37.861	85.080	P/N
8		PC-9801 Normal	24.823	56.416	N/N
9		VGA mode 2	31.469	70.086	P/N
10		VGA VESA 85 Hz	37.861	85.080	P/N
11	640 x 480	VGA mode 3	31.469	59.940	N/N
12		Macintosh 13"	35.000	66.667	N/N
13		VGA VESA 72 Hz	37.861	72.809	N/N
14		VGA VESA 75 Hz	37.500	75.000	N/N
15		VGA VESA 85 Hz	43.269	85.008	N/N
16	800 x 600	SVGA VESA 56 Hz	35.156	56.250	P/P
17		SVGA VESA 60 Hz	37.879	60.317	P/P
18		SVGA VESA 72 Hz	48.077	72.188	P/P
19		SVGA VESA 75 Hz	46.875	75.000	P/P
20		SVGA VESA 85 Hz	53.674	85.061	P/P
21	832 x 624	Macintosh 16"	49.724	74.550	N/N
22	1024 x 768	XGA VESA 43 Hz	35.524	43.479	P/P
23		XGA VESA 60 Hz	48.363	60.004	N/N
24		XGA VESA 70 Hz	56.476	70.069	N/N
25		XGA VESA 75 Hz	60.023	75.029	P/P
26		XGA VESA 85 Hz	68.677	84.997	P/P
27	1152 x 864	SXGA VESA 70 Hz	63.995	70.016	P/P
28		SXGA VESA 75 Hz	67.500	75.000	P/P
29		SXGA VESA 85 Hz	77.487	85.057	P/P
30	1152 x 900	Sunmicro LO	61.795	65.960	N/N
31		Sunmicro HI	71.713	76.047	N/N
32	1280 x 960	SXGA VESA 60 Hz	60.000	60.000	P/P
33		SXGA VESA 75 Hz	75.000	75.000	P/P
34	1280 x 1024	SXGA VESA 43 Hz	46.433	43.436	P/P
35		SXGA VESA 60 Hz	63.974	60.013	P/P
36		SXGA VESA 75 Hz	79.976	75.025	P/P
37		SXGA VESA 85 Hz	91.146	85.024	P/P
38		SXGA VESA 85 Hz	91.146	85.024	P/P

Optional Accessories

Projector lamp
LMP-P120
(for replacement)

Carrying case
VLC-SC50*

Interface selector
IFU-SC50

Monitor cable
SMF-400
SMF-401

Signal cable
SMF-402

Mouse cable
SIC-S20 (for Mac®)
SIC-S21 (for Serial)
SIC-S22 (for PS/2)

Macintosh® adaptor
ADP-20 (Macintosh to VGA)

Signal adaptor
ADP-10 (HD D-sub 15-pin to D-sub 9-pin)

50-inch portable screen
VPL-50C*

80-inch portable screen
VPL-80C*

* Not available in some areas.



Projector lamp
LMP-P120 (for replacement)



Interface selector
IFU-SC50

Distributed by

©1999 Sony Corporation. All rights reserved.
Reproduction in whole or in part without permission is prohibited.
Features and specifications are subject to change without notice.
All non-metric weights and measures are approximate.
Sony is a registered trademark of Sony Corporation.
Macintosh and Mac are registered trademarks of Apple Computer, Inc.